

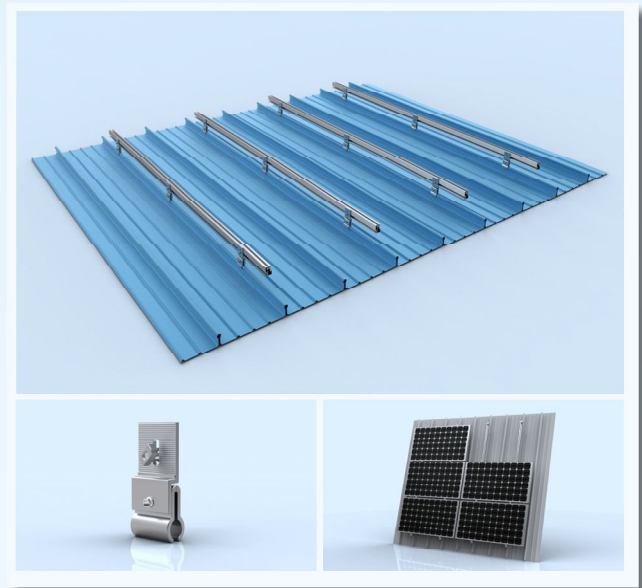
Sheet Metal Roofing Systems

KM-SS : Standing Seam Roof Systems

The KM-SS is a customized mounting system designed for standing seam sheet metal roofing. KNE's unique mounting system features quick attachment anchors without the need for drilling. This advanced mounting method preserves the existing roof structure against invasive drilling and is also easy to install.

Features

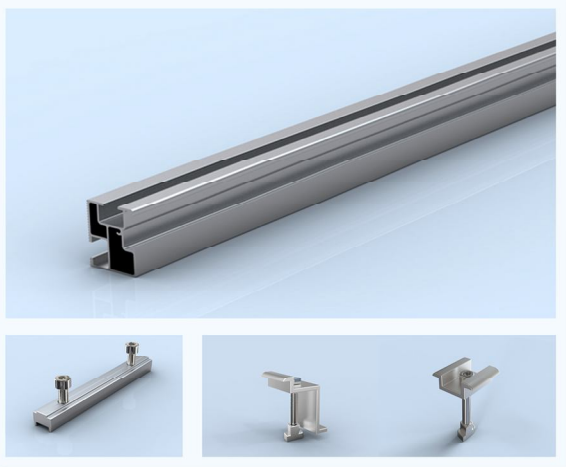
- Large variation of clamp designs available to suit various sheet metal roofing
- Clamp designs are of a specific specification to provide a complete flush fit
- Complete flush fitting clamps provide full contact area fastening ensuring stability and structural soundness
- Drill free installation translates to easy installation
- Designed in accordance and meeting all international structural standards as well as rigorous inhouse quality assurance and testing procedures
- Quality Australian aluminum alloys providing strength, toughness and built to last



Attachment Clamp

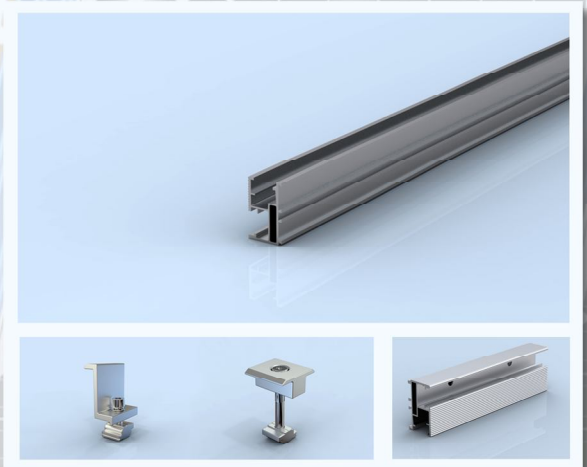
Associated Rail Components

Mounting Rail KR-M5



Splice Connector SC-H9

Mounting Rail KR-J53



Mid Clamps & End Clamps

Splice Connector SC-J33